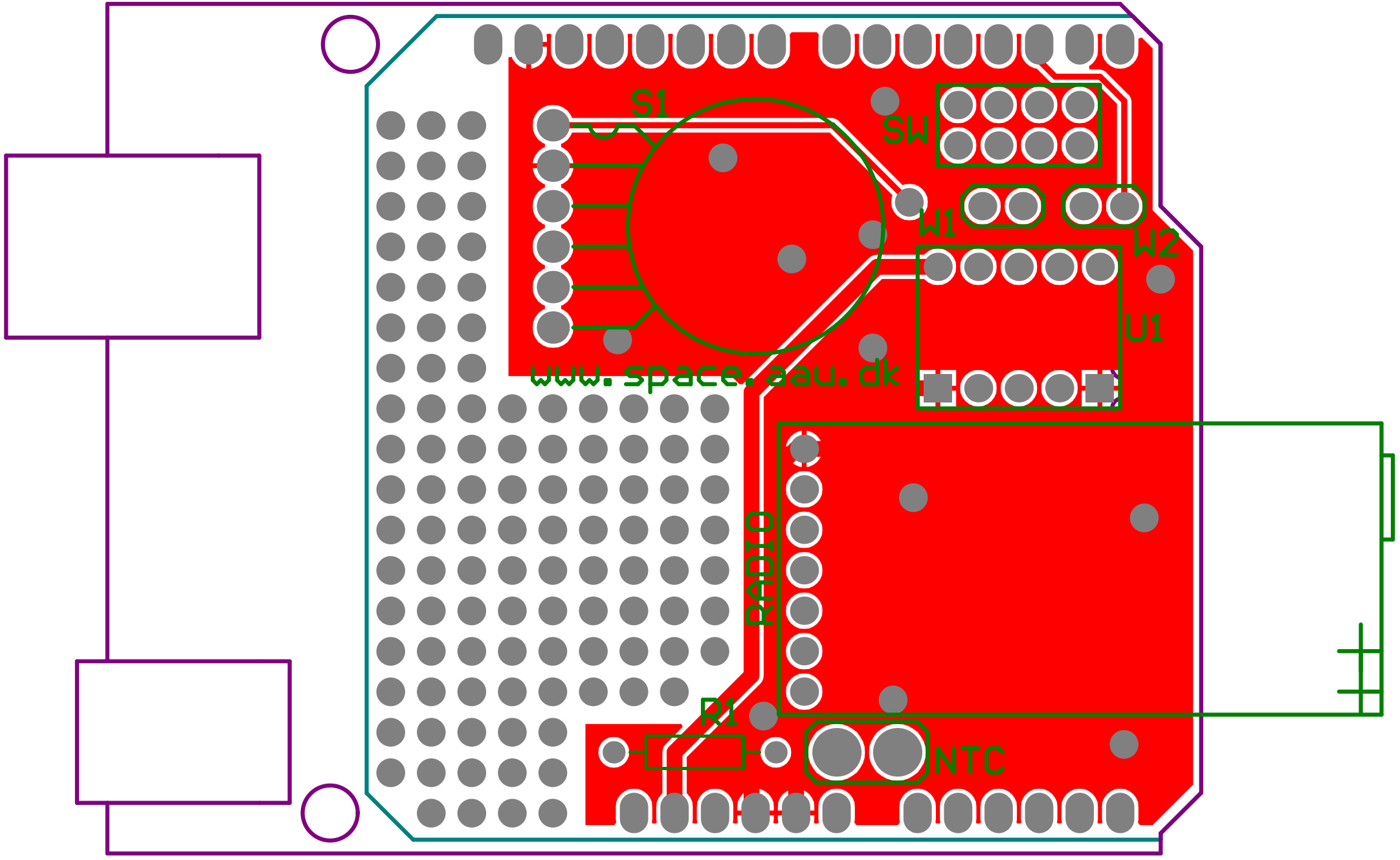


Title		
Size A4	Number	Revision
Date: 18-10-2011	Sheet of	
File: Z:\Projects\cansat\schematic.SchDoc	Drawn By:	



Comment	Description	Designator	Footprint	LibRef	Quantity
arduino shield		Arduino_	ARDUINO UNO SHIELD	arduino shield	1
NTC		NTC	NTC solder pads	NTC	1
Res2	Resistor	R1	AXIAL-0.4	Res2	1
APC220		RADIO	ACP220 radio module	ACP220	1
MPX4115		S1	MPX4115	MPX4115	1
DIP_SWITCH OR JUMPER		SW	DIPSW/ JUMPER	DIP_SWITCH OR JUMPER	1
MMA7361L		U1	MMA7361L	MMA7361L	1
Jumper	Jumper Wire	W1, W2	jumper	Jumper	2